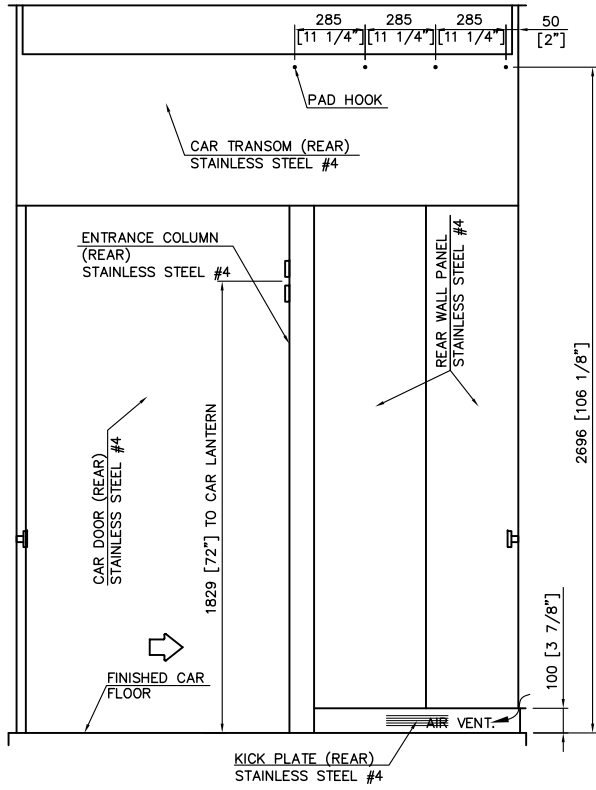
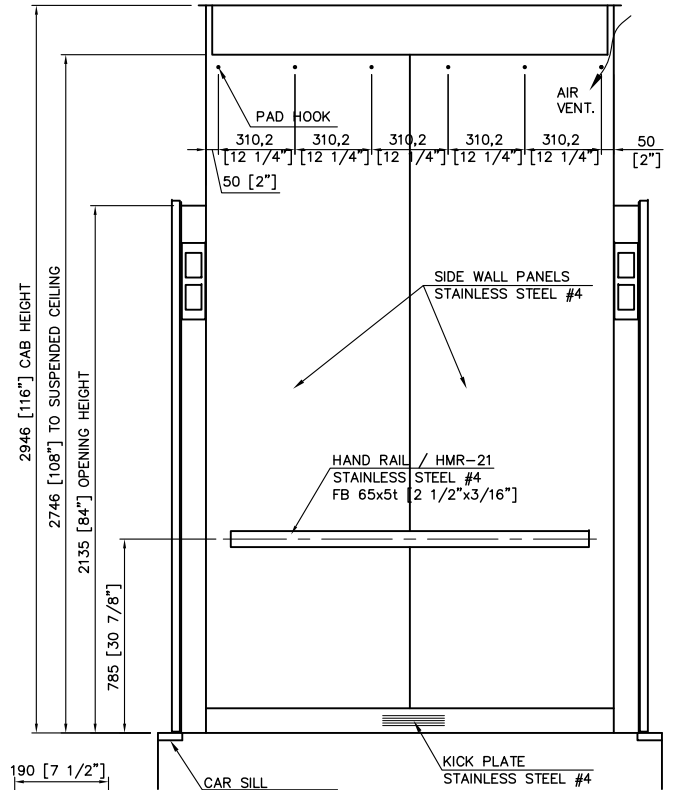


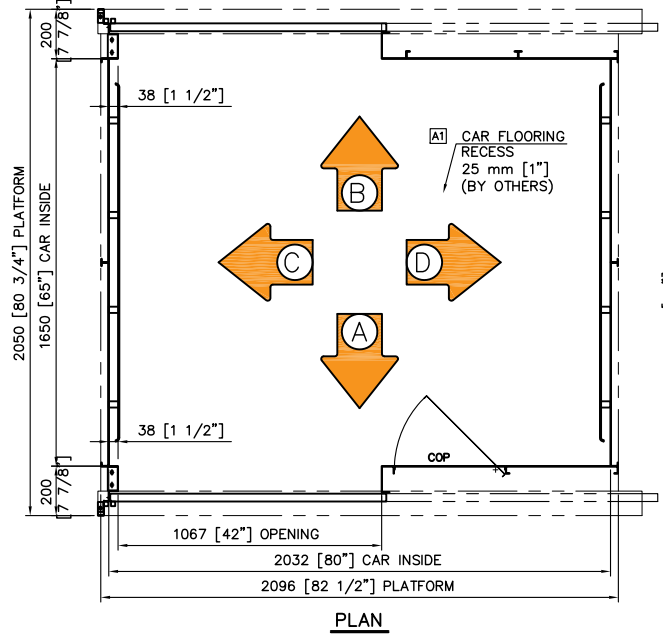
ELEVATION "A"
 <FRONT>



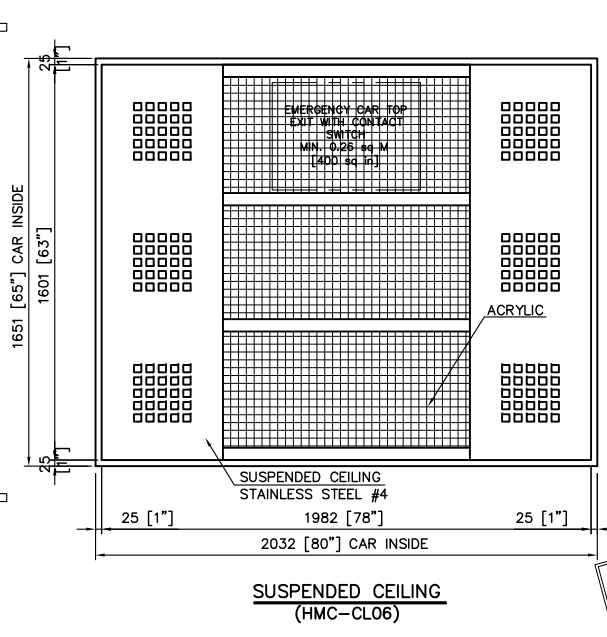
ELEVATION "B"
 <REAR>



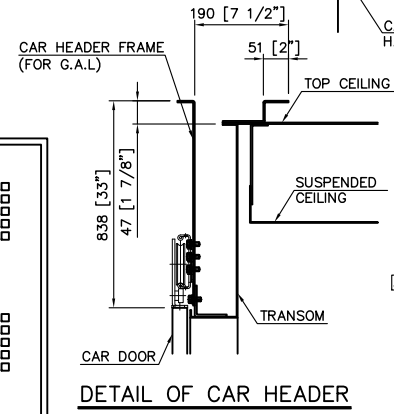
ELEVATION "C" & "D"



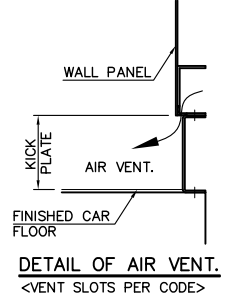
PLAN



SUSPENDED CEILING
 (HMC-CL06)



DETAIL OF CAR HEADER



DETAIL OF AIR VENT.
 <VENT SLOTS PER CODE>

- NOTE**
- [A] 1. CAR FLOORING RECESS : 25 mm [1"] (BY OTHERS)
 - 2. SUSPENDED CEILING FINISH : STAINLESS STEEL #4

FINAL DRAWINGS