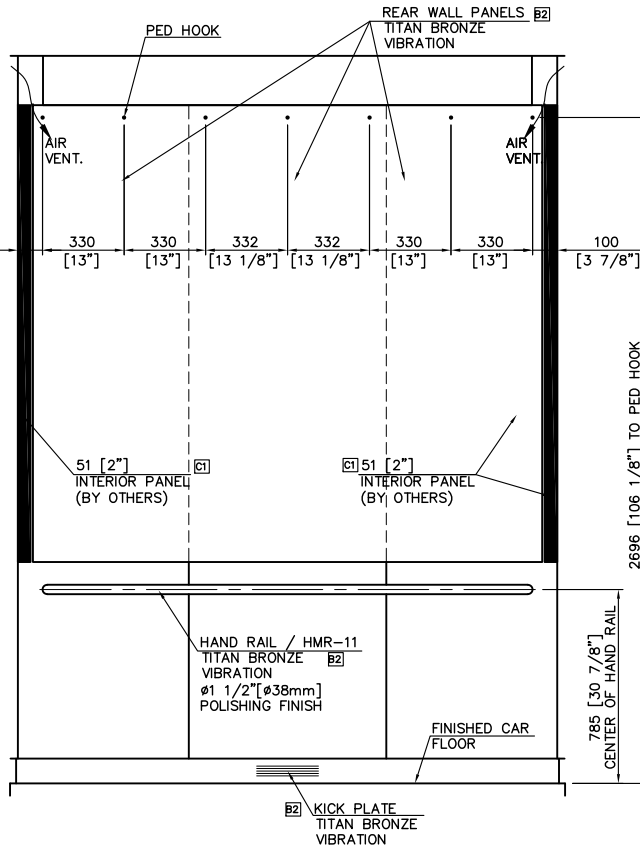
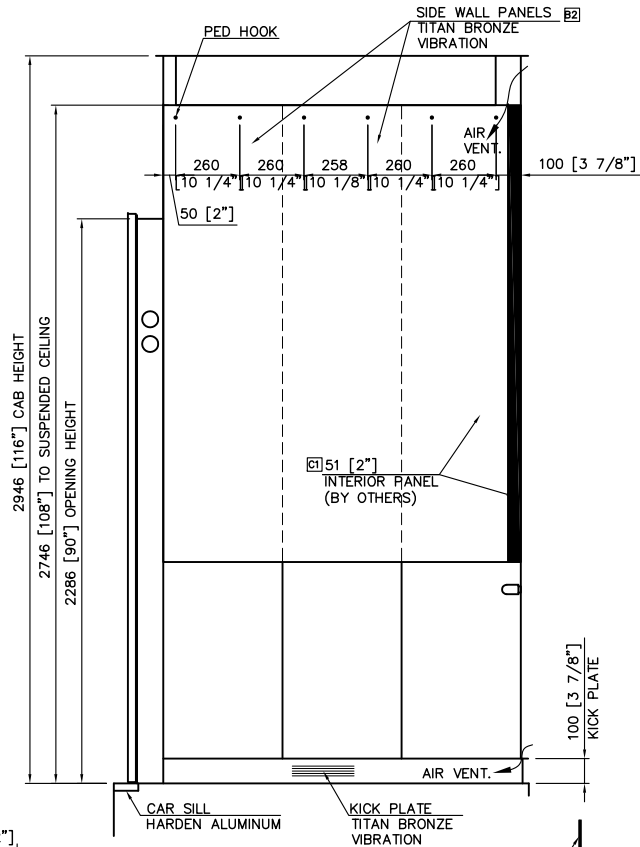


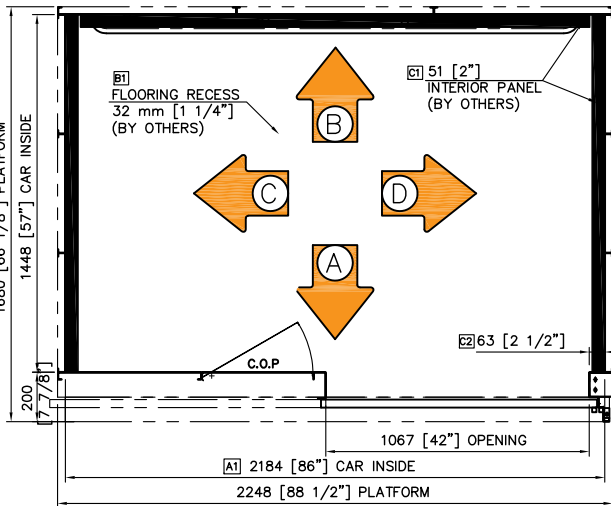
ELEVATION "A"



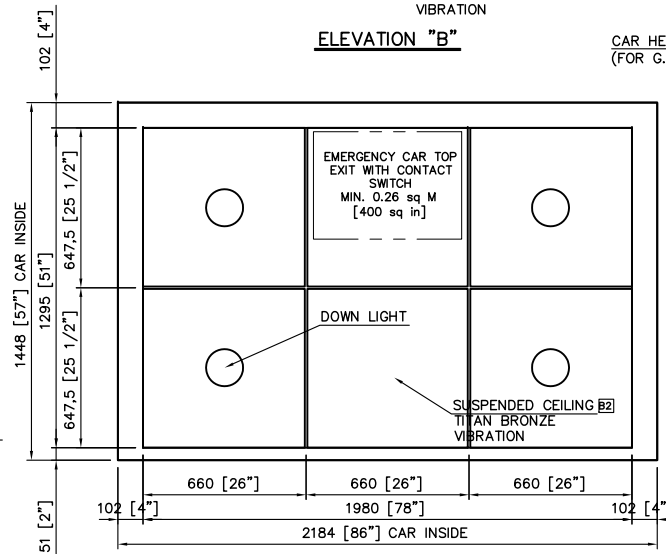
ELEVATION "B"



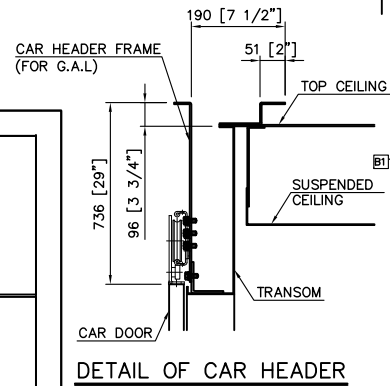
ELEVATION "C" & "D"



PLAN

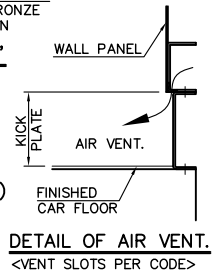


SUSPENDED CEILING (HMC-CL07)



DETAIL OF CAR HEADER

- NOTE
1. CAR FLOORING RECESS : 32 mm [1 1/4"] (BY OTHERS)
  2. SUSPENDED CEILING FINISH :



DETAIL OF AIR VENT.  
<VENT SLOTS PER CODE>

**FINAL DRAWINGS**